

E5-4 Cam Latch

Glass-filled nylon · Tool or hand operated · Fixed grip

Features

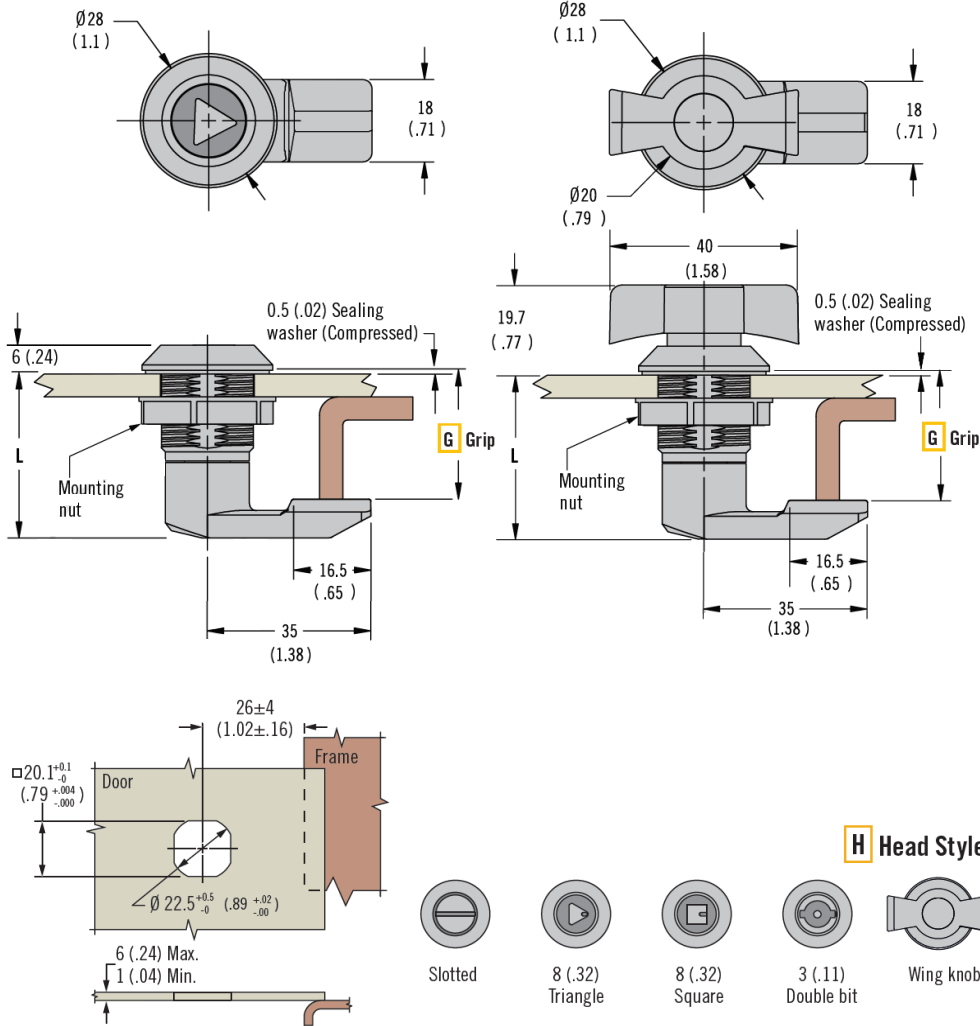
- Single hole install
- Corrosion-resistant materials
- NEMA 4 / IP65 achieved using supplied gasket

Material

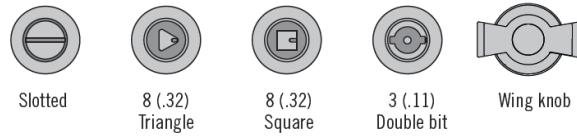
- Glass-filled nylon and stainless steel

Product Performance

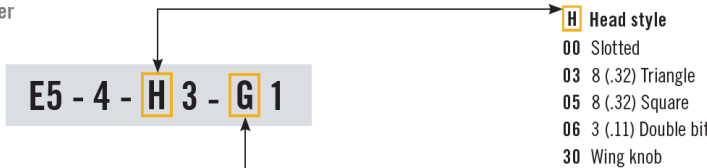
- Average ultimate load: 300 N
- Mounting nut maximum tightening torque: 4.25 N.m



H Head Styles



Latch Part Number



southco®

We are proud to be Southco's
authorized distributor of over 20 years

G Grip table

Total Grip	G	L	Max. Door Thickness for Assembled Latch	Total Grip	G	L	Max. Door Thickness for Assembled Latch	Total Grip	G	L	Max. Door Thickness for Assembled Latch
16 (.63)	16	30 (1.18)	5 (.20)	24 (.94)	24	38 (1.50)	6 (.24)	30 (1.18)	30	44 (1.73)	6 (.24)
18 (.71)	18	32 (1.26)	5 (.20)	25 (.98)	25	39 (1.54)	6 (.24)	32 (1.26)	32	46 (1.81)	6 (.24)
20 (.79)	20	34 (1.34)	6 (.24)	26 (1.02)	26	40 (1.57)	6 (.24)	34 (1.34)	34	48 (1.89)	6 (.24)
22 (.87)	22	36 (1.42)	6 (.24)	28 (1.10)	28	42 (1.65)	6 (.24)	36 (1.42)	36	50 (1.97)	6 (.24)

E5 Cam Latch Accessories

Keys and flush mount bracket

Material

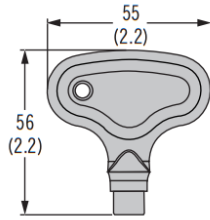
- Tool key: Zinc alloy or nylon
- Overmolded key: Nickel plated and ABS plastic black
- Flat key: Nickel plated



Keys Zinc or Nylon

H Head style

- 2 3 (.11) Double bit
- 3 7 (.28) Triangle
- 4 7 (.28) Square
- 7 8 (.32) Triangle
- 8 8 (.32) Square recess
- 9 5 (.19) Double bit (nylon only)
- 10 8 (.32) Square male (zinc only)
- 11 Bellcore electronics
- 12 Bellcore 216 (zinc only)
- 14 Railway Standard (zinc only)



F Finish

- 1 Plated zinc
- 2 Natural zinc
- 3 Nylon, black

E3 - H - F

Head Styles

- 2 3 (.11) Double bit
- 3 7 (.28) Triangle
- 4 7 (.28) Square
- 7 8 (.32) Triangle
- 8 8 (.32) Square recess
- 9 5 (.19) Double bit
- 10 8 (.32) Square male
- 11 Bellcore electronics
- 12 Bellcore 216
- 14 Railway Standard

Overmolded Keys

Key CH751



Key R001



Flat Keys

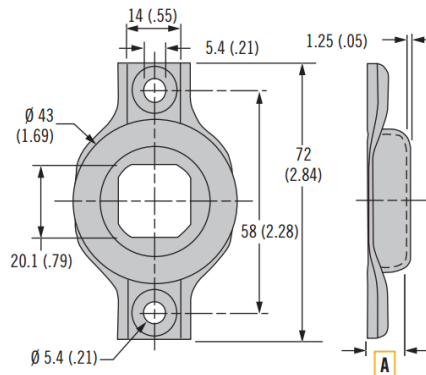
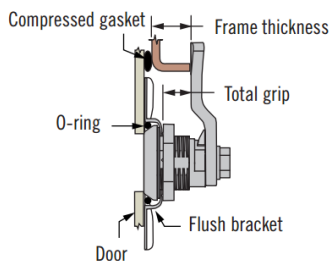
Key CH751



Part Number

- Overmolded key CH751:
 - Single: PK-10-10-05
 - Pair: PK-10-01-05
- Overmolded key R001:
 - Single: PK-10-10-05-KR001
 - Pair: PK-10-01-05-KR001
- Flat key
 - Pair: PK-10-01

Flush Mount Bracket



Material

- Stainless steel or galvanized steel with rubber o-ring

A	Part Number	Material
6.6	E3-77-1-12	Galvanized steel
6.6	E3-77-1-24	304 Stainless steel

To calculate the **Total Grip**, use the following formula: **Frame Thickness + Compressed Gasket - A**.
Use this **Total Grip** with the appropriate E5 tables in the *SOUTHCO*® Handbook to determine cam type.